



IKUSI
velatia

smartexperience

Independent amplifier IF-SAT

Unit to amplify a satellite polarity



Satellite 950-2150 MHz input port,
with adjustable gain



Terrestrial coupling 5-862 MHz
input port



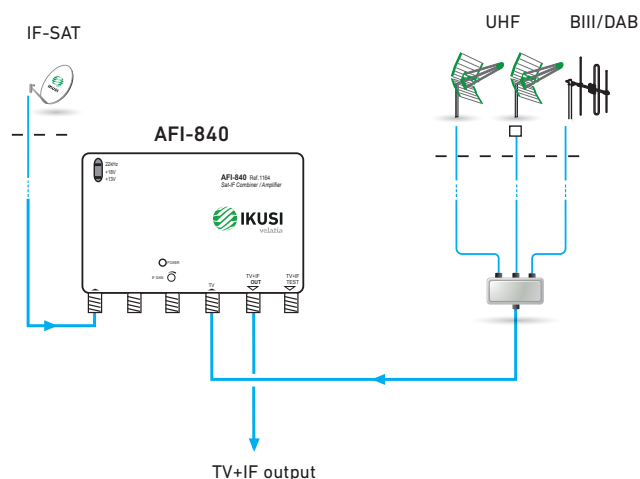
RF output level adjustment
by potentiometer

AFI-840

Mains features:

- 1 Satellite 950-2150 MHz input port, with adjustable gain and pre-emphasized response to compensate for cable losses.
- 1 Terrestrial coupling 5-862 MHz input port ;
- 1 Combined Satellite+Terrestrial output port ;
- 1 output test port.
- Mains powered 50/60 Hz. Electrical safety protection level: Class II. Mains lead and plug included.
- Line powering of LNB. Generation of voltage/tone for selection of H/V polarisation and high/low frequency sub-band by the small plug-in bridges provided.
- Small plastic box, with protective cover. Internal zinc alloy chassis. F type connection.
- Indoor mounting. Wall- fixing.

MODEL		AFI-840
REF.		1164
IF Sat band	MHz	950 - 2150
Response flatness	dB	± 1,5
Gain	dB	34 - 40 (6 dB fixed slope)
Continuous gain adjustment	dB	0 - 18
Output level (-35 dB IMD3, EN 50083-3)	dBμV	120
Input/output return loss	dB	≥ 6
Noise figure	dB	< 8
TV band	MHz	5 - 862
TV coupling loss	dB	≤ 1,5
Output test (TV+IF)	dB	-30 ±1.5
Mains voltage (50/60 Hz)	VAC	100 - 240
Consumption	W	6
Insertable voltage/tone to Sat-IF input port		+13 VDC / +18 VDC 0 / 22 kHz
Max LNB power current	mA	200 (at +13 VDC & at +18 VDC)
Dimensions	mm	120 x 85 x 50



Indoor Amplifier AFI-840